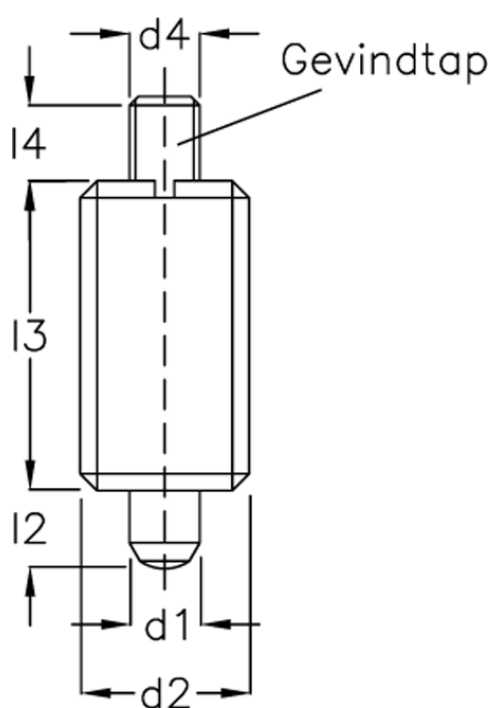


Article number: 20891005

Description: E+G
Indexing plunger GN 613-8-G

Measures

Type G



d1	= 8
d2	= M16x1,5
d4	= M 8
l2	= 8
l3	= 34
l4	= 12
Screwdriver	= GN613.1-8
Spring pressure N bottom	= 31.0

Spring pressure N top = 12.0